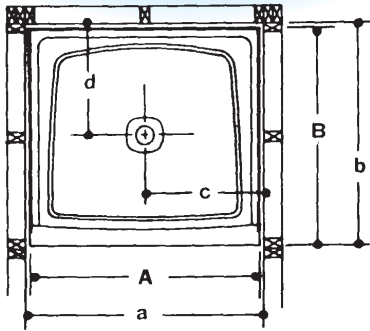


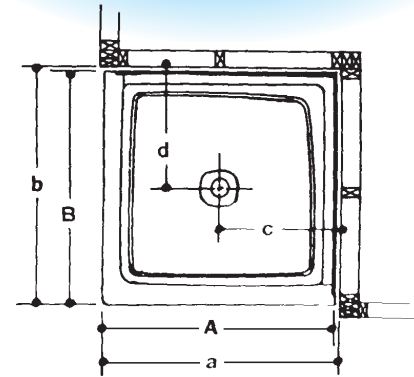
Cascade Shower Floors



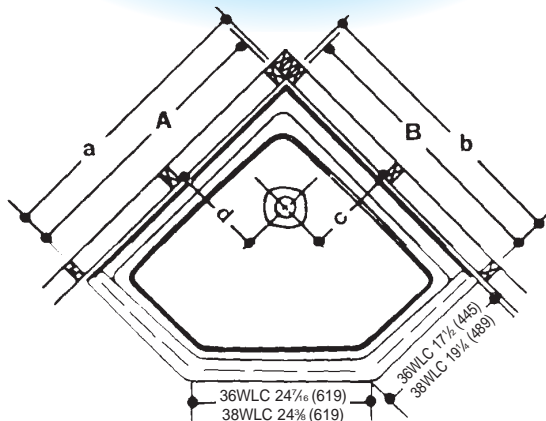
WL Single Threshold for Recessed Installation



WLD Double Threshold for L or R Installation

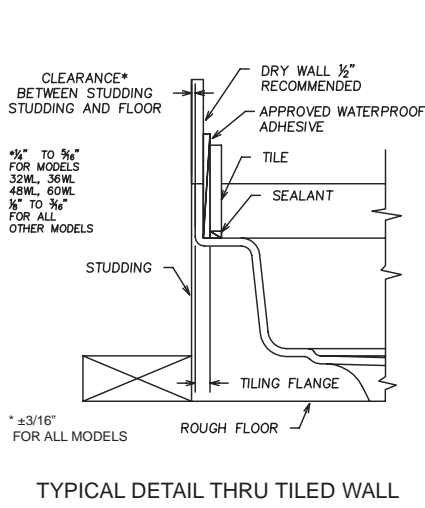
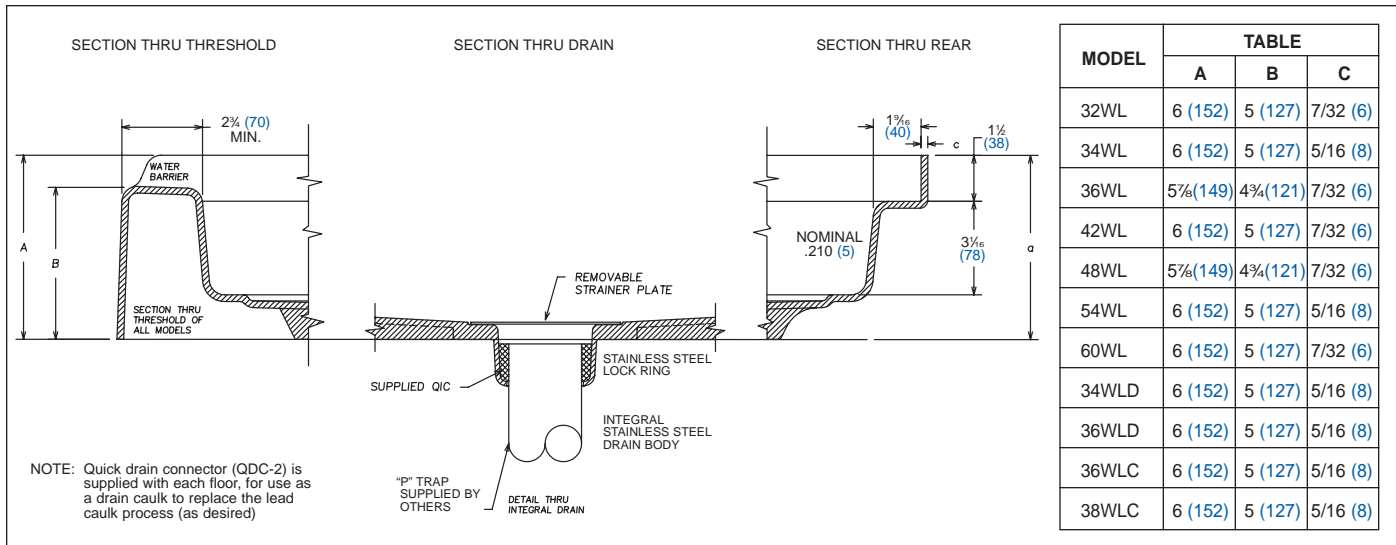


WLC Neo-Corner Installation



MODEL	NOMINAL SIZE		ACTUAL SIZE ± 1/16"	
	A	B	A	B
32WL	32 (813)	32 (813)	32 (813)	32 (813)
34WL	34 (864)	34 (864)	34 1/4 (870)	34 1/4 (870)
36WL	36 (914)	36 (914)	36 (914)	36 (914)
42WL	42 (1067)	34 (864)	42 (1067)	34 (864)
48WL	48 (1219)	34 (864)	48 (1219)	34 (864)
54WL	54 (1372)	34 (864)	54 3/8 (1381)	34 1/4 (870)
60WL	60 (1524)	34 (864)	60 (1524)	34 (864)
34WLD	34 (864)	34 (864)	34 1/4 (870)	34 1/4 (870)
36WLD	36 (914)	36 (914)	36 1/4 (921)	36 1/4 (921)
36WLC	36 (914)	36 (914)	36 (914)	36 (914)
38WLC	38 (965)	38 (965)	38 1/4 (972)	38 1/4 (972)

MODEL	ROUGHING-IN DIMENSIONS			
	a	b	c	d
32WL	32 3/8 (822)	32 3/16 (818)	16 3/16 (411)	16 1/8 (410)
34WL	34 5/8 (879)	34 7/16 (875)	17 5/16 (440)	17 1/4 (438)
36WL	36 3/8 (924)	36 3/16 (919)	18 3/16 (462)	18 1/8 (460)
42WL	42 3/8 (1076)	34 3/16 (868)	21 3/16 (589)	17 1/8 (435)
48WL	48 3/8 (1229)	34 3/16 (868)	24 3/16 (614)	17 1/8 (435)
54WL	54 11/16 (1389)	34 9/16 (878)	27 3/8 (695)	17 5/16 (440)
60WL	60 3/8 (1534)	34 3/16 (868)	30 3/16 (767)	17 1/8 (435)
34WLD	34 7/16 (875)	34 7/16 (875)	17 1/4 (438)	17 1/4 (438)
36WLD	36 7/16 (926)	36 7/16 (926)	18 1/4 (464)	18 1/4 (464)
36WLC	36 3/16 (919)	36 3/16 (919)	12 3/16 (310)	12 3/16 (310)
38WLC	38 7/16 (976)	38 7/16 (976)	12 5/16 (313)	12 5/16 (313)



Cascade® Shower Floors

- 80% lighter than masonry floors
- Install right on sub-floor
- Factory installed leakproof stainless steel drain
- High quality finish will never rust or corrode
- Unaffected by boiling water and normal household cleaners
- Integral water dam to keep water in
- CSA approved
- Variety of styles and sizes

The highest standard of quality in manufacturing is applied to producing the Cascade® Shower Floors. Utilizing the SMC process, the molding is achieved in matched metal dies under heat and pressure. The result is a one-piece homogeneous floor with a super quality surface finish.

Although relatively light in weight, the integral underside rib structure design provides a positive and extensive levelling and support system. This ensures a strong and durable installation.

The drain body is factory installed into the floor for a permanent trouble-free, leakproof connection. For complete showering safety, a permanent slip resistant surface is integrally molded into the floor in a manner that does not trap or impede the flow of water.

SPECIFICATIONS: The shoulder of the floor shall not be less than 3 1/16" (78) high and 1 1/2" (38) wide with the tiling flange extending not less than 1 1/2" (38) above the shoulder and 1" (25) higher than the threshold providing a built-in molded water barrier that prevents water from leaking onto the floor. The threshold shall not be less than 4 3/4" (121) high.

- A QIC-2 Integral Quick Drain Connector is provided as standard.
- A QIC-2CP Integral Quick Drain Connector is available as an option for use with copper pipe.

Sheet Molding Compound (SMC)
 Consists of four dry ingredients – filler, fire retardant, thickener, and internal mold release – which are mixed together. The dry items are then mixed with liquid resin and a catalyst, which form a thick paste. The paste is then spread evenly over a sheet of polyethylene and sprinkled evenly with one-inch chopped glass fibers, which in turn is covered by another sheet of polyethylene. The sheet is then kneaded with heavy steel rollers until all fiberglass is covered with paste. The kneaded sheets are then layered and left to mature in bins for three days. The polyethylene sheets are then removed and the SMC is no longer a paste but something comparable to 1/4" wet leather. It is at this point that the sheet goes into a mold under extreme heat and pressure and a desired mold is achieved.

